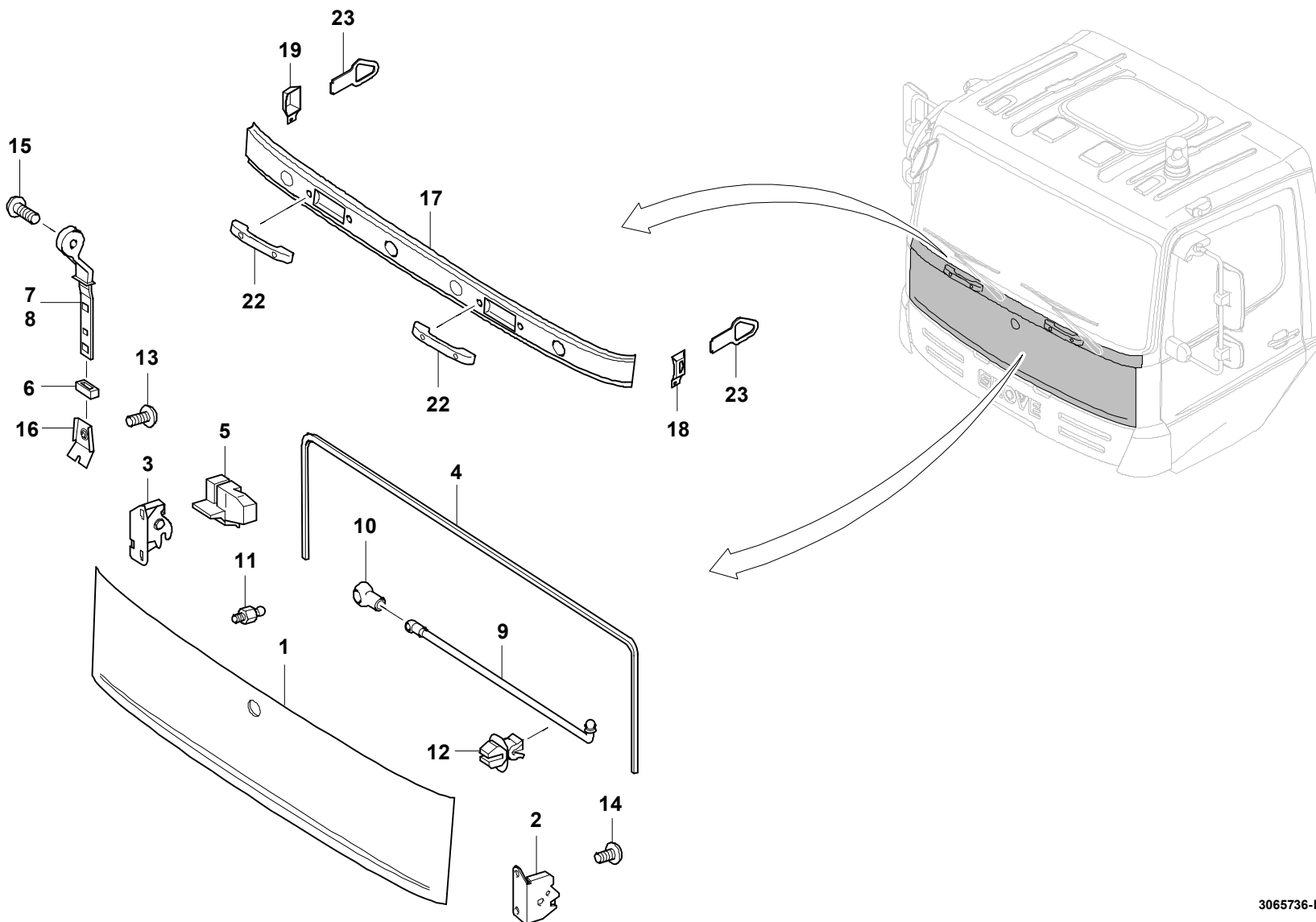


**GROVE**FRONTKLAPPE  
FRONT FLAPBILDТАFEL  
PICTORIAL DISPLAY**GMK 5130**  
**BE 550**  
**G 000**

203.11

**3065736-ETL B**

1/1



3065736-B-BL01-20311-4100